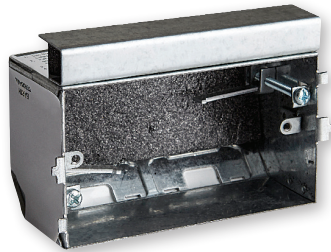


Datasheet

Wall Box

CAT. NO. 435/2

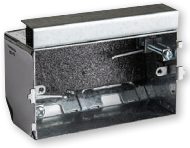


435/2

Cat. No.	435/2
Description	Wall Box 1 Gang
Wall type	Suitable for 10 mm to 32 mm thick plaster board walls
Material	Galvanized Steel
Cut-out size	102 x 128 mm
Product Dimensions (WxHxD)	101 x 70 x 51 mm
Mounting Centres	84 mm
Applications	Suitable for Double switchplates or powerpoints installations. Used in conjunction with Cat. No. 435 (Not suitable for COMO range)

Wall Box

CAT. NO. 435/2



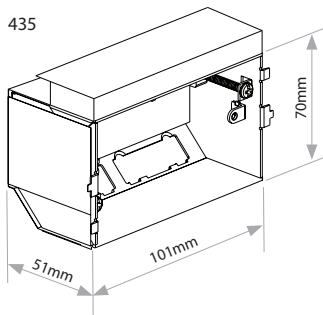
435/2

FEATURES

Wall box suitable for residential and commercial applications such as hospitals, hotels, public buildings and multi-dwelling apartments.

- 84 mm centre installations.
- Corrosion resistant.
- Robust design.
- Suitable for plaster wall 10 mm to 32 mm thick.
- Knockouts for easy cable access.

DIMENSIONS



Single product			
Cat. No.	Dimensions (WxHxD)	Weight	Barcode
435/2	120 x 70 x 51 mm	280 g	9321001415220

Outer box (QTY 60)			
Cat. No.	Dimensions (WxHxD)	Weight	Barcode
435/2	380 x 310 x 330 mm	17.8 kg	9321001415237

General Note:

1. Vertical wall penetrations shall not be positioned above one another, unless they have a vertical height separation of at least 600 mm and a horizontal strut/noggin in between the penetrations.
2. 435/2 wall boxes shall not be ganged together with other 435/2 wall boxes.

Legrand - Australia
1300 369 777
www.legrand.com.au
ABN 31 000 102 661

Legrand - New Zealand
0800 476 009
www.legrand.co.nz

Refer to your group buying office, Legrand Sales Representative or Legrand Sales Office for pricing.

Please note: specifications are subject to change without prior notice.